

## Technical Questionare

for LINEAR ACTUATOR inquiry



Dear customer,

please send us back this questionnaire completely filled.

Thank you.

Company .....

Contact person .....

Type of application ....

Working environment .....

Nominal Force .....

Peak Force .....

Nominal Speed\* .....

Positioning accuracy ..

Stroke\*\* .....

Max. length of LA .....

\* Speed and force defines power.

\*\* Standard 50 - 1050 mm see flyer.

### Force action time:

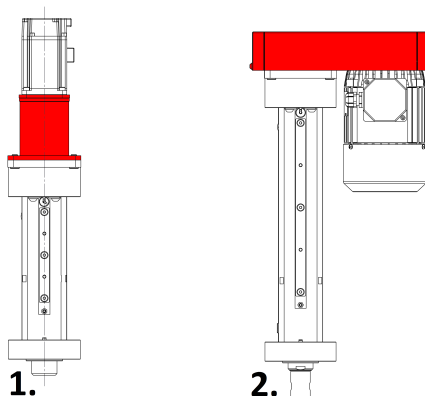
1. Short-term.
2. Permanently.

### Type of movement:

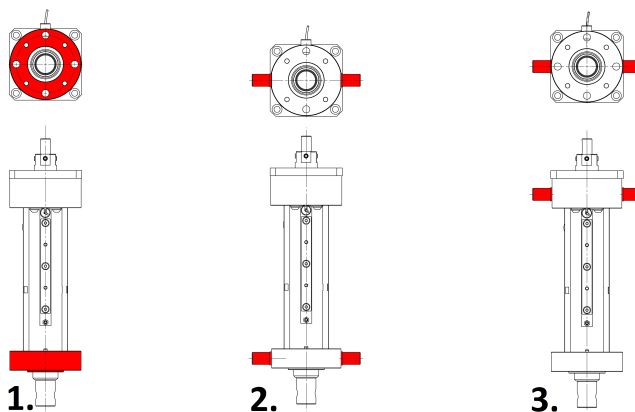
1. Point to point positioning.
2. Moving between limit switches.
3. Torque control.

**Preferred type of actuator:**

1. Axial.
2. Parallel.

**Mounting of actuator:**

1. The front flange.
2. The pins on the front flange.
3. The pins on the rear flange.
4. Customized.

**Orientation of actuator:**

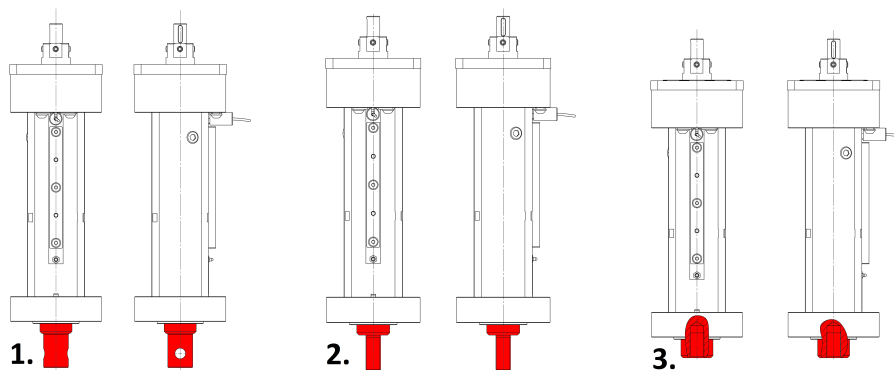
1. Horizontal.
2. Vertical.

**Brake of motor:**

1. YES
2. NO (standard)

**Free end of the piston rod:**

1. Pin with hole (standard).
2. External thread (standard).
3. Internal thread (standard).
4. Customized shaft end.

**Reference switch (PNP-NO):**

1. YES (standard)
2. NO

**Limit switches:**

1. External. Limit switches are not included.
2. Internal - inside of actuator.

**Type of shift:**

1. Single shift.
2. Two-shift.
3. Three-shift.

**Delivery of linear actuator with motor:**

1. YES\*
2. NO

\*Further specification of drive is solved by email.