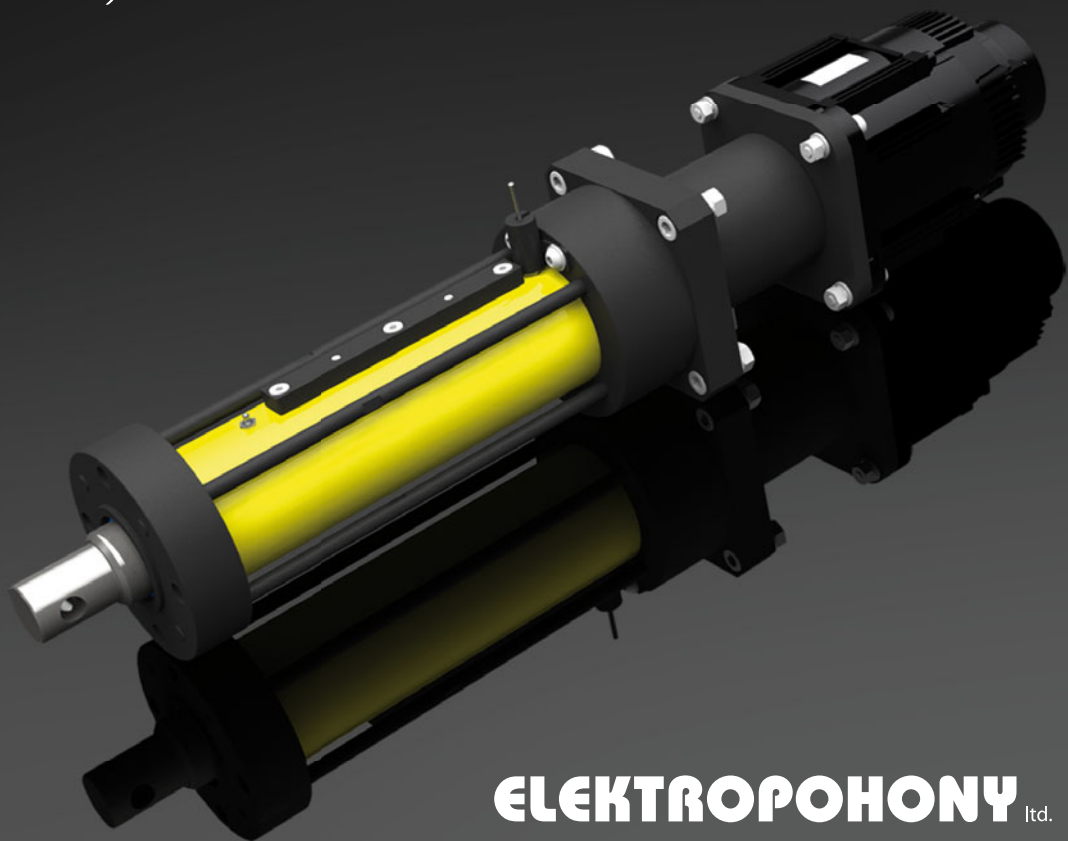


# ELECTROMECHANICAL LINEAR **ACTUATOR**

- *Rated axial load range from 10kN up to 60 kN. Higher load on request*
- *Self-supporting construction*
- *High load availability at the high speed*
- *High accuracy of positioning*
- *Variability of the external mechanical connecting dimensions – optional output flange and piston rod*
- *High life time and low running cost*
- *Wide variety of drive unit (gearbox, asynchronous motor, servomotor)*



**ELEKTROPHONY** Ltd.

## PRODUCT INFORMATION

Linear actuator series LA provides pushing or pulling force between load and base. Actuator convert rotation movement to linear stroke using high endurance ball screw. Self-supporting actuator housing enables connection of various kind of drives. By using of proper drive actuator provides next usefull performance:

- variable sped / force curve
- force limitation / detection at full stroke
- high positioning accuracy
- simple service / maintenance of the load

Depending on the specific requirements of customers it is possible to define output flange mounting dimensions, design of piston rod end, required stroke, force and speed. Also there is possibility to add reference or end position sensors.

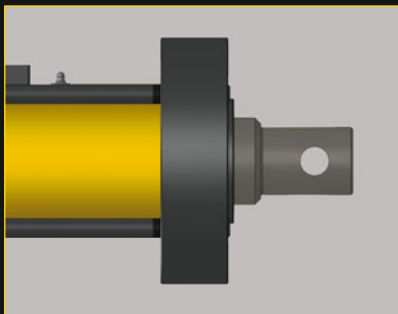
## APPLICATION FIELD

- hydraulic / pneumatic cylinder replacement
- pressing processing application
- bending machines
- extruders
- packaging machines
- handling machines

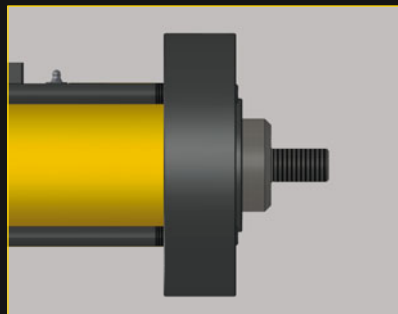
## CHARACTERISTICS

- no oil / pressed air leakage
- lower noise
- movement control availability
- blocking of rod slewing
- high rigidity at high load / speed
- markedly higher efficiency, lower temperature loss
- lower maintenance cost
- lower risk of body injury due to less number of dangerous element
- synchronized motion of more actuators, force distribution onto load

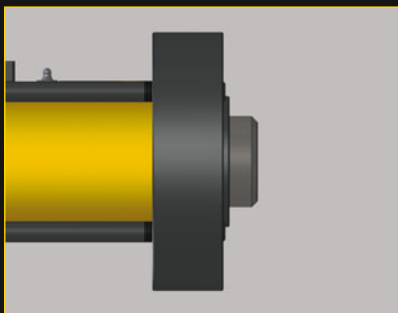
## PISTON ROD VERSION



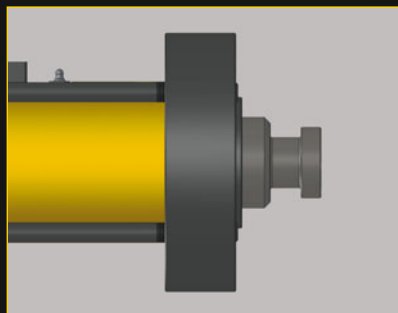
Standard version – shaft end with hole



Standard version – shaft end with external thread



Standard version – shaft end with internal thread



Nonstandard version – customized shaf end

## BASIC TECHNICAL DATA

Type	LA10	LA20	LA40	LA60
Rated actuator force [N]	10000	20000	40000	60000
Maximum actuator force [N]*	20000	40000	80000	100000
Maximum piston rod speed [mm/s]	1000	1000	1000	1000

\*Maximum operational force that must not be exceeded. Selected drive must be properly projected and adjusted. Value is stated for the stroke of 450mm - values for higher stroke on request

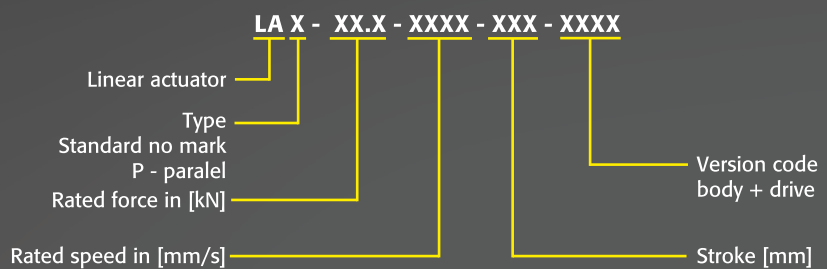


## VERSIONS

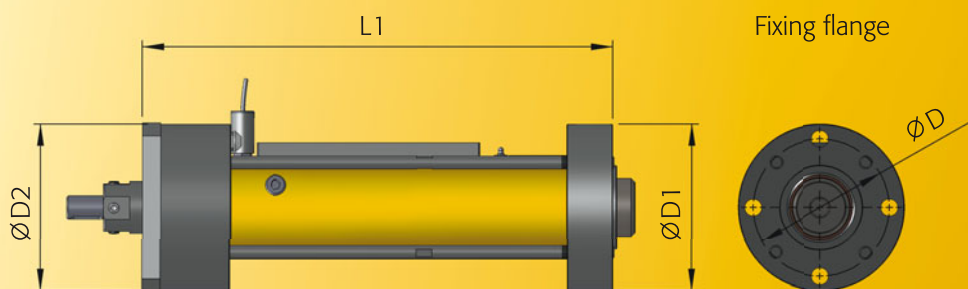
**Wide variability of usable drives and gears.**

- AC servodrives
- Asynchronous motors
- DC motors
- Planetary gearboxes
- Timing belt drives
- Coaxial spur gearboxes
- Bevel helical gearboxes
- Worm gearboxes

## DESIGNATION:



## DIMENSIONS:



### LA10:

<b>STROKE*</b>	50	150	300	450	600
<b>L1</b>	261,5	361,5	526,5	676,5	826,5
<b>Ø D1,D2</b>	128	128	128	128	128
<b>Ø D</b>	105	105	105	105	105

### LA20:

<b>STROKE*</b>	50	150	300	450	600	750
<b>L1</b>	294,5	394,5	558,5	708,5	858,5	1008,5
<b>Ø D1,D2</b>	148	148	148	148	148	148
<b>Ø D</b>	125	125	125	125	125	125

### LA40:

<b>STROKE*</b>	50	150	300	450	600	750
<b>L1</b>	359,5	459,5	624,5	774,5	924,5	1074,5
<b>Ø D1,D2</b>	178	178	178	178	178	178
<b>Ø D</b>	145	145	145	145	145	145

### LA60:

<b>STROKE*</b>	50	150	300	450	600	750	900	1050
<b>L1**</b>	393,5	493,5	654,5	804,5	954,5	1104,5	1254,5	1404,5
<b>Ø D1,D2</b>	188	188	188	188	188	188	188	188
<b>Ø D</b>	160	160	160	160	160	160	160	160

\* Rated piston rod stroke depends on actuator design, in case of different stroke demand (out of state value or higher stroke), please, contact us

\*\* Size of L1 stated for speed up to 500 mm/s, for actuator L60 with higher speed the size is longer by 40mm

## PRODUCER:

# ELEKTROPOHONY ltd.

Závodí 234 • 744 01 Frenštát pod Radhoštěm  
tel.: +420 556 880 611 • fax: +420 556 880 698,  
e-mail: info@epo.cz • <http://www.epo.cz>

